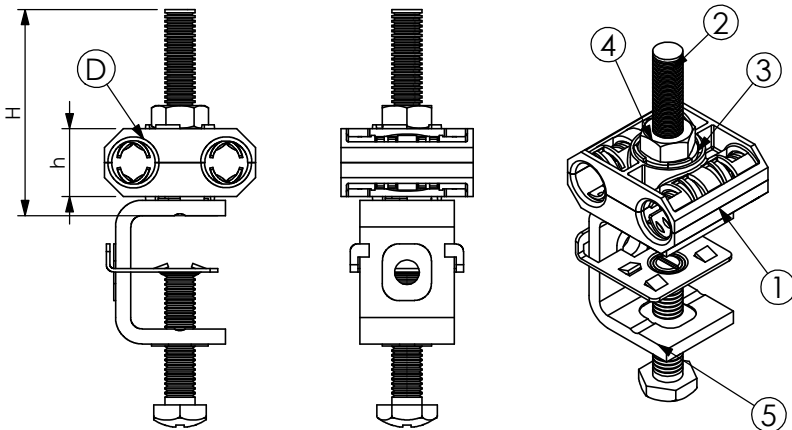


PRODUCT DATA SHEET



A) SPECIFICATIONS

- 1 Calibrated double black saddles made in P.A.
- 2 Stainless steel threaded bar BFI M8
- 3 Stainless steel flat Washer RPI 8/16
- 4 Stainless steel hexagonal nut DAI 8
- 5 Stainless steel mini clamp MIM 8

B) RESISTANCE TESTS

UV Test BS-ISO 105-B06
 Vibration test conforming to UNI 60068-2-6
 Operating temperature: -30°C +120°C

C) PACKAGING INFORMATION

Packing in boxes.
 Label indicating:
 product code, article, quantity,
 production batch,
 FIMO logo and figure.
 (Customer code on request).

D) MOUNTING INSTRUCTIONS

On request

CODE	ARTICLE	ø D	h	H	BAG	WEIGHT
61 1585 0207	MMC 2x7	4 - 7	18	50	20	116
61 1585 0209	MMC 2x9	6 - 9	18	50	20	116
61 1585 0211	MMC 2x11	8 - 11	18	50	20	116
61 1585 0214	MMC 2x14	9 - 14	21	50	20	123
61 1585 0219	MMC 2x19	14 - 19	26	50	20	135
61 1585 0224	MMC 2x24	19 - 24	32	50	20	140
61 1585 0407	MMC 4x7	4 - 7	36	50	20	136
61 1585 0409	MMC 4x9	6 - 9	36	50	20	136
61 1585 0411	MMC 4x11	8 - 11	36	50	20	136
61 1585 0414	MMC 4x14	9 - 14	42	75	20	143
61 1585 0419	MMC 4x19	14 - 19	52	75	20	160
61 1585 0424	MMC 4x24	19 - 24	64	100	20	170
61 1585 0607	MMC 6x7	4 - 7	54	75	20	150
61 1585 0609	MMC 6x9	6 - 9	54	75	20	150
61 1585 0611	MMC 6x11	8 - 11	54	75	20	150
61 1585 0614	MMC 6x14	9 - 14	63	100	20	170
61 1585 0619	MMC 6x19	14 - 19	78	100	20	180
61 1585 0624	MMC 6x24	19 - 24	96	125	20	205

RI	DATE	DR	DATE	AP	Description:
02					MMC - Mini-Clamps for Flat Iron with Holes Composition: MMO + MIM 8 Mini Clamp
01					
00	03/11/2015	G.S.	03/11/2015	A.V.	
1 ST EMISSION					
					Use: Fastening cables on flat iron with holes